

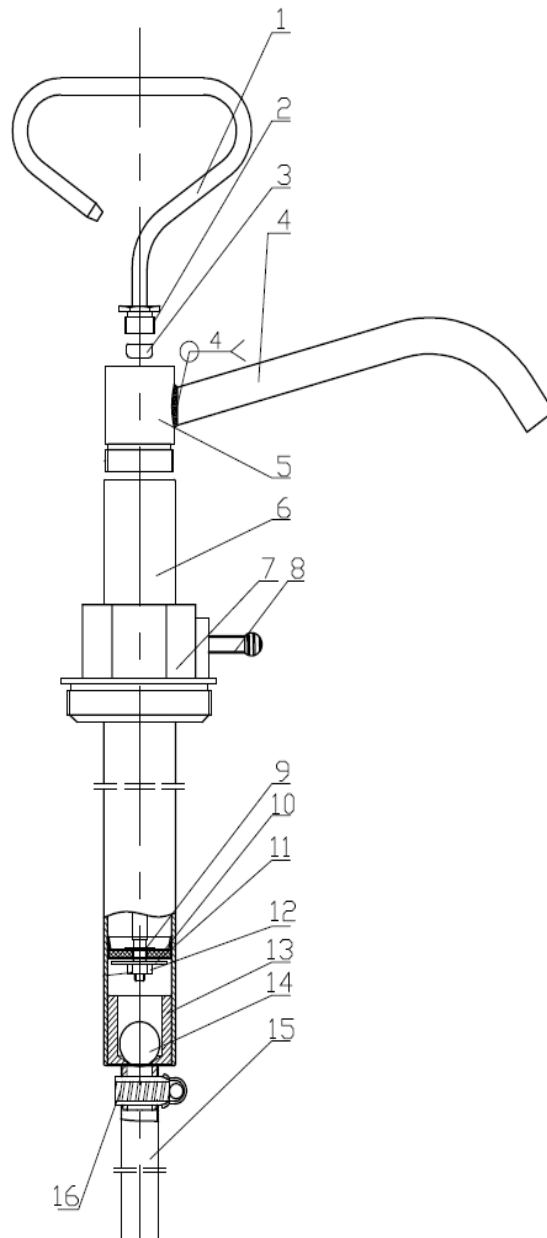
## TECHNICAL SPECIFICATION SHEET

|                              |                            |
|------------------------------|----------------------------|
| <u>Product Reference</u>     | S/S Drum Pump              |
| Customer Reference:          | tba                        |
| Drawing:                     | (see over)                 |
| Dose:                        | 240 ml approx (full cycle) |
| Closure:                     | 2" MBSP (others available) |
| No. of strokes to discharge: | 6-7                        |
| Colour:                      | natural stainless steel    |
| Dip tube**:                  | fixed                      |

### General Comments

Stainless steel drum pump – suitable for most drums  
Designed for high resistance to most chemicals including solvents  
(CUSTOMER MUST ESTABLISH SAFE WORKING PRACTICE )  
Various attachment options  
General chemical compatibility - very good

## S/S Drum Pump



|    |               |        |   |            |
|----|---------------|--------|---|------------|
| 16 | s.s.clamp     |        | 1 | ∅10~∅16    |
| 15 | inlet tube    | teflon | 1 | ∅15X1tX550 |
| 14 | glass ball    |        | 1 | SR8 (∅16)  |
| 13 | inlet adaptor |        | 1 | 316        |
| 12 | nut           |        | 1 | 304# s.s   |
| 11 | washer        | teflon | 1 |            |
| 10 | piston        | teflon | 1 |            |
| 9  | washer        | teflon | 1 |            |
| 8  | wing screw    |        | 1 | stell      |
| 7  | bung adaptor  |        | 1 | pp white   |
| 6  | pump body     |        | 1 | 316        |
| 5  | pump head     |        | 1 | 316        |
| 4  | outlet spout  |        | 1 | 304        |
| 3  | seal          | teflon | 1 |            |
| 2  | nut           |        | 1 | 304        |
| 1  | rod           |        | 1 | 316        |

This specification is supplied as a true representation of product supplied, but due to variances in liquids, cannot be deemed as warranted.